

Teamwork



Get Started



Get paper and a pencil.

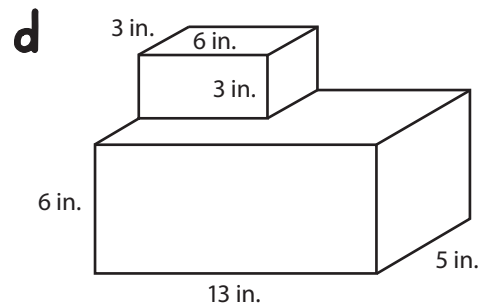
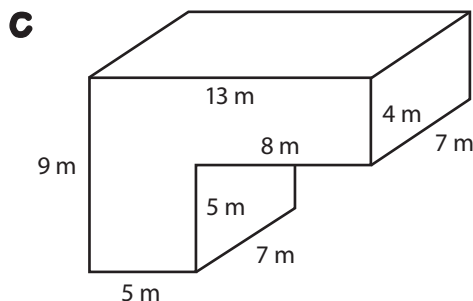
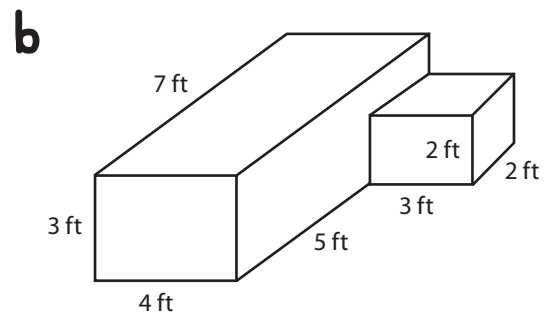
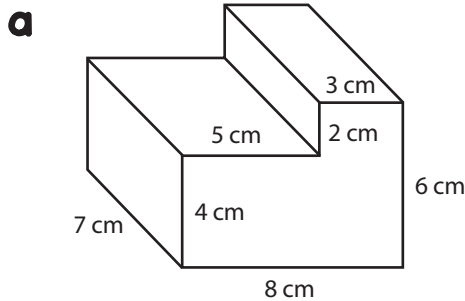
Put **1** **2** **3** **4** in a bag.

Repeat for Each Round

Choose **a**, **b**, **c**, or **d**. Pick two tiles if your group has only two students. To find your job, find the number that matches the tile you chose.

Do the jobs listed below in order.

- 1** Work with your team to determine how the solid figure can be divided into two more familiar shapes.
- 2** Find the volume of one of the familiar shapes.
- 3** Find the volume of the second familiar shape.
- 4** Find the total volume of the solid figure.



If you have more time



Choose **a** or **c**. Find more than one way to divide the solid figure into two familiar shapes. Calculate the volume of the figure both ways.