

# Teamwork



## Get Started



Get paper and a pencil.

Put **1** **2** **3** **4** in a bag.

## Repeat for Each Round

Choose **a**, **b**, **c**, or **d**. Pick a tile. Pick two tiles if your group has only two students. Do the jobs listed below in order.

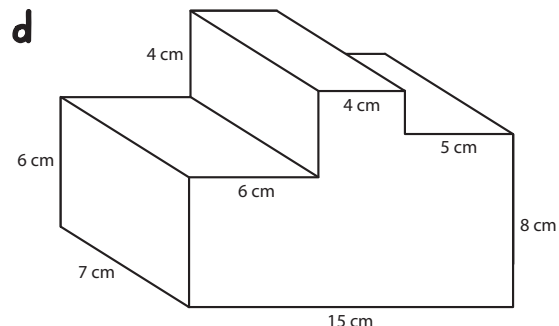
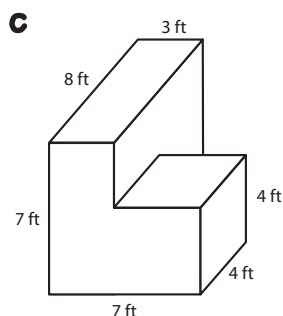
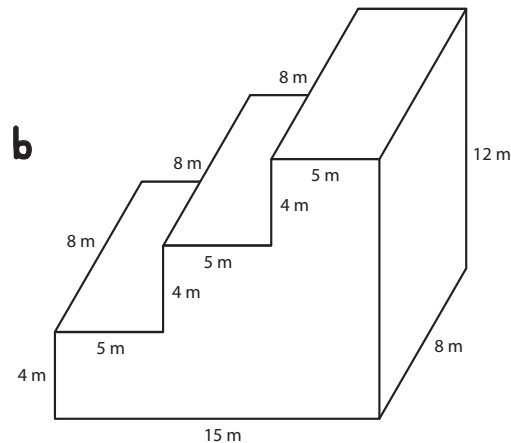
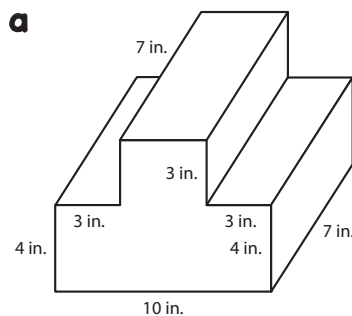
To find your job, find the number that matches the tile you chose.

**1** Work with your team to determine where lines can be drawn to divide the given figure into two or more familiar parts.

**2** Work with your team to find the volume of one of the familiar parts.

**3** Work with your team to find the volume of the remaining part or parts.

**4** Work with your team to find the total volume of the original irregular solid.



If you have more time



Choose **a**, **b**, **c** or **d**. Discuss whether or not the irregular solid could have been divided into familiar parts in a different way.