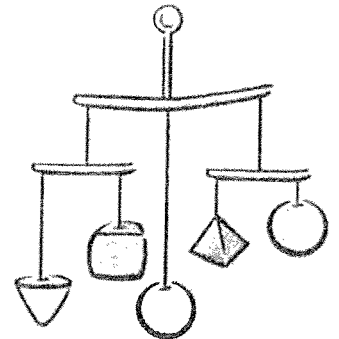


Solid Figure Mobile Scoring Rubric

Name _____

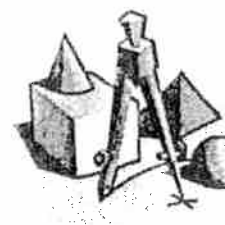
Theme _____



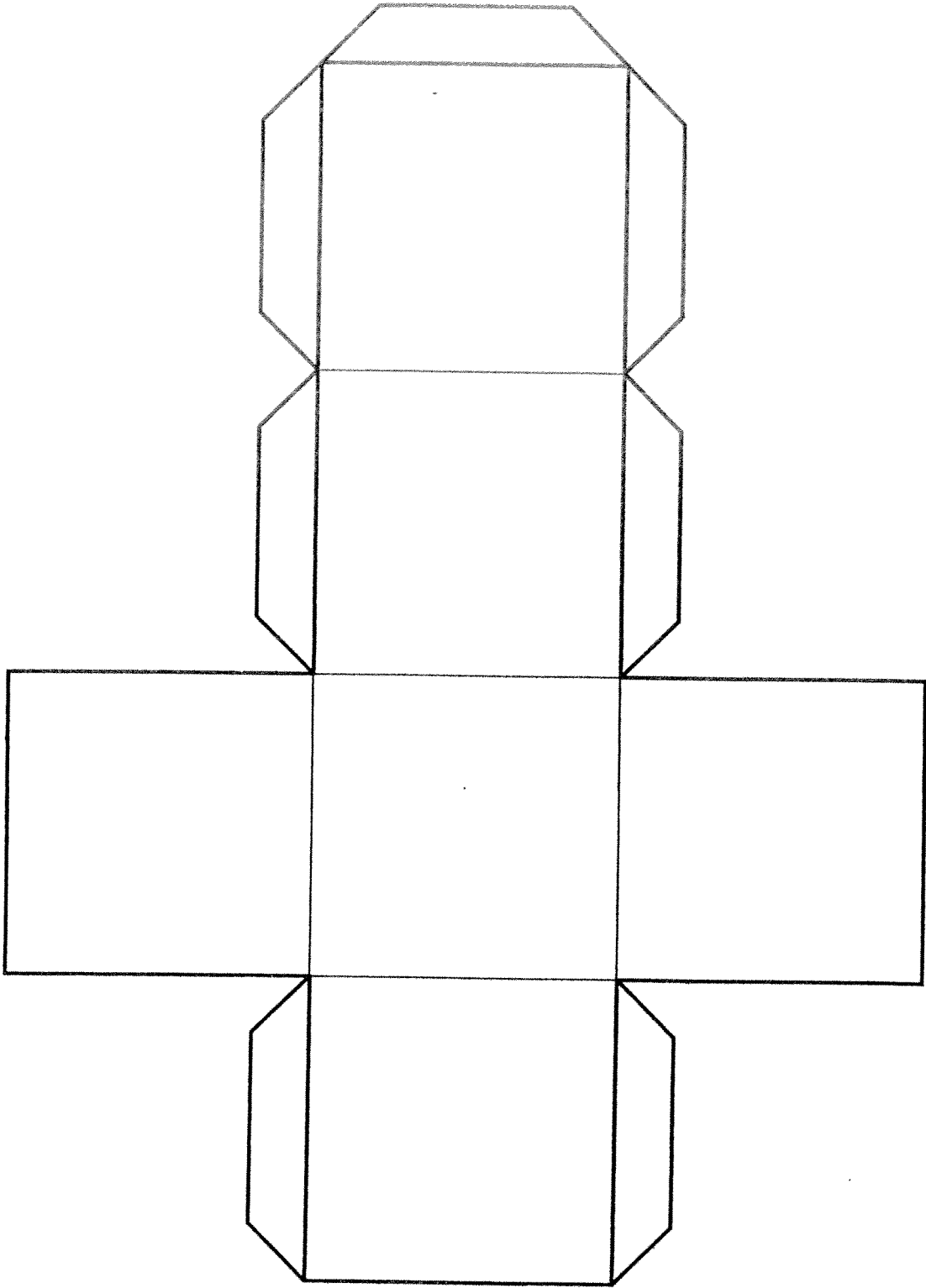
5	3	1
Theme is clearly shown in all 8 shapes.	Theme is shown in 7-5 shapes.	Theme is shown in 2-1 shapes.
Construction of mobile and shapes shows neatness and care. Shapes have sharp corners and edges.	Construction of mobile and shapes is somewhat messy: looks as if it was done in a hurry.	Shapes looks as if they will fall apart easily. Shapes don't have sharp edges. Put together with tape.
Detail added to shapes shows creativity and originality	Details added but do not show creativity	No details added to shapes.
Shapes are neatly colored/decorated	Shapes are colored/decorated by are not done neatly.	Shapes are not colored or decorated.
All shapes turned in on time.	1 or 2 shapes turned in late	3 or more shapes turned in late
Mobile turned in on time		Mobile turned in late.
Has rubric		No rubric
Chart completed	Some of chart completed	Chart not completed
Chart: everything correct	Chart: 4-5 wrong	Chart: more than 8 wrong

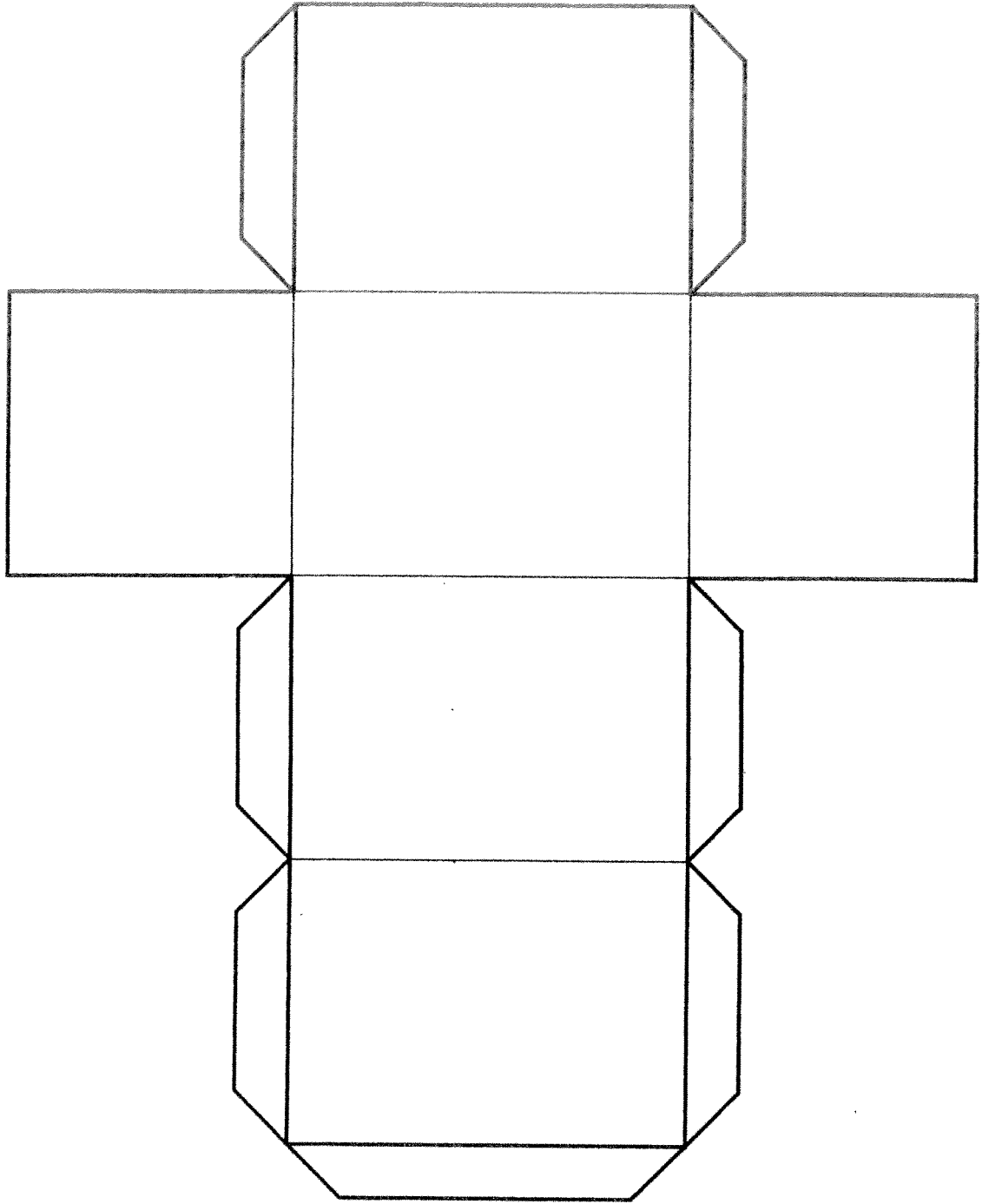
Solid Figure Mobile

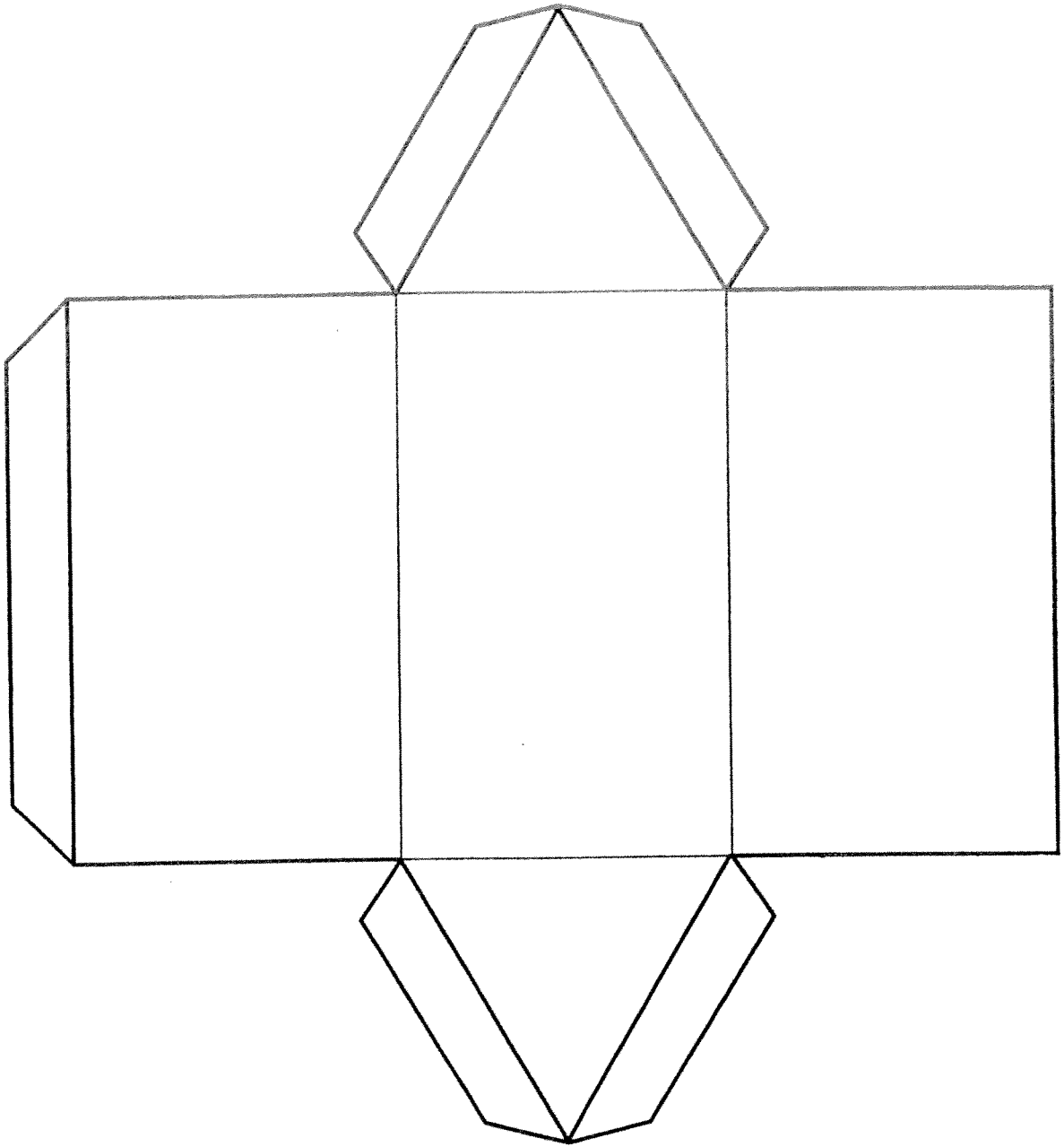
Name _____

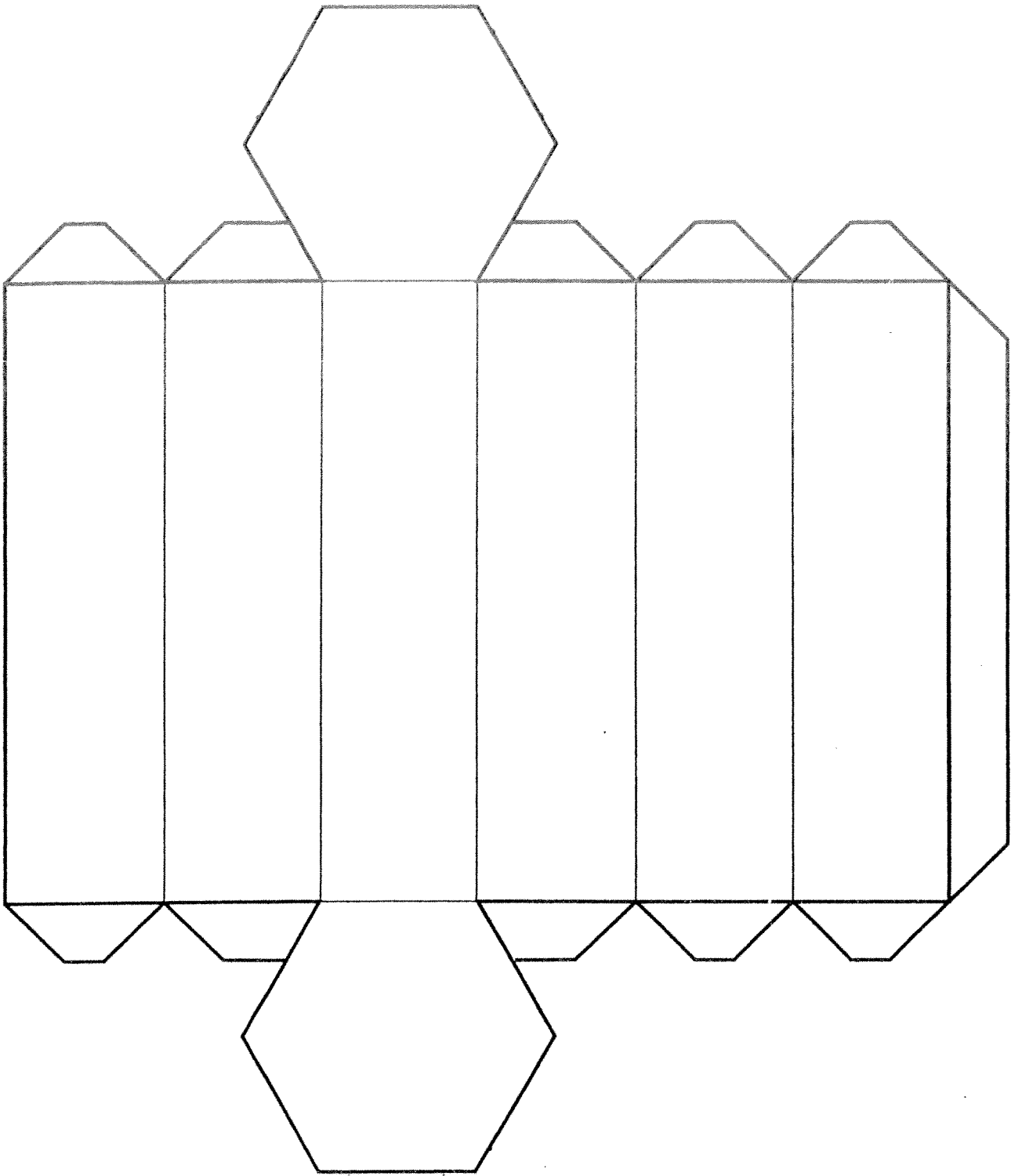


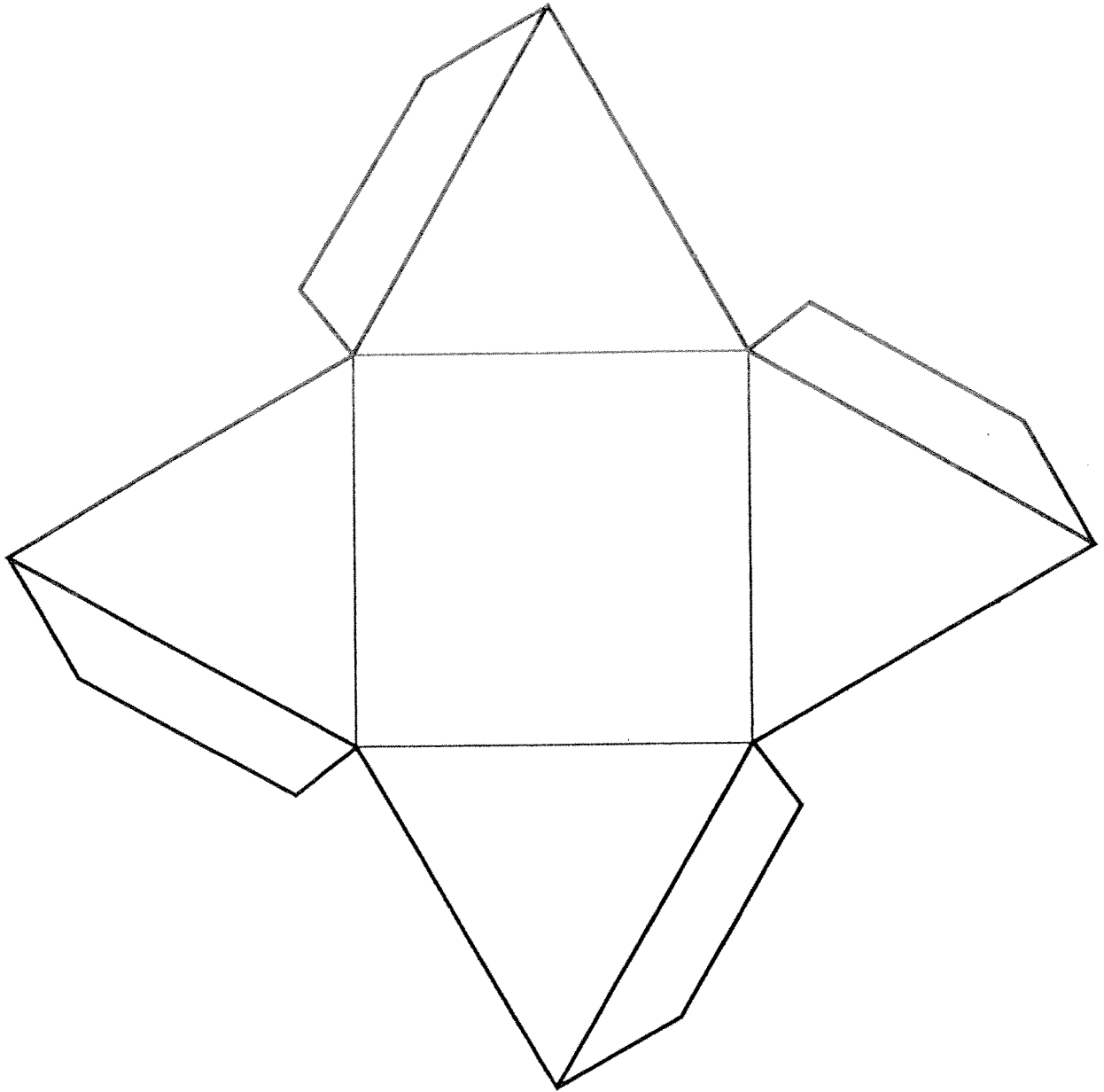
Shape	Edges	Faces	Vertices
Rectangular prism			
Cube			
Triangular prism			
Hexagonal prism			
Square pyramid			
Triangular pyramid			
Cylinder			
Cone			

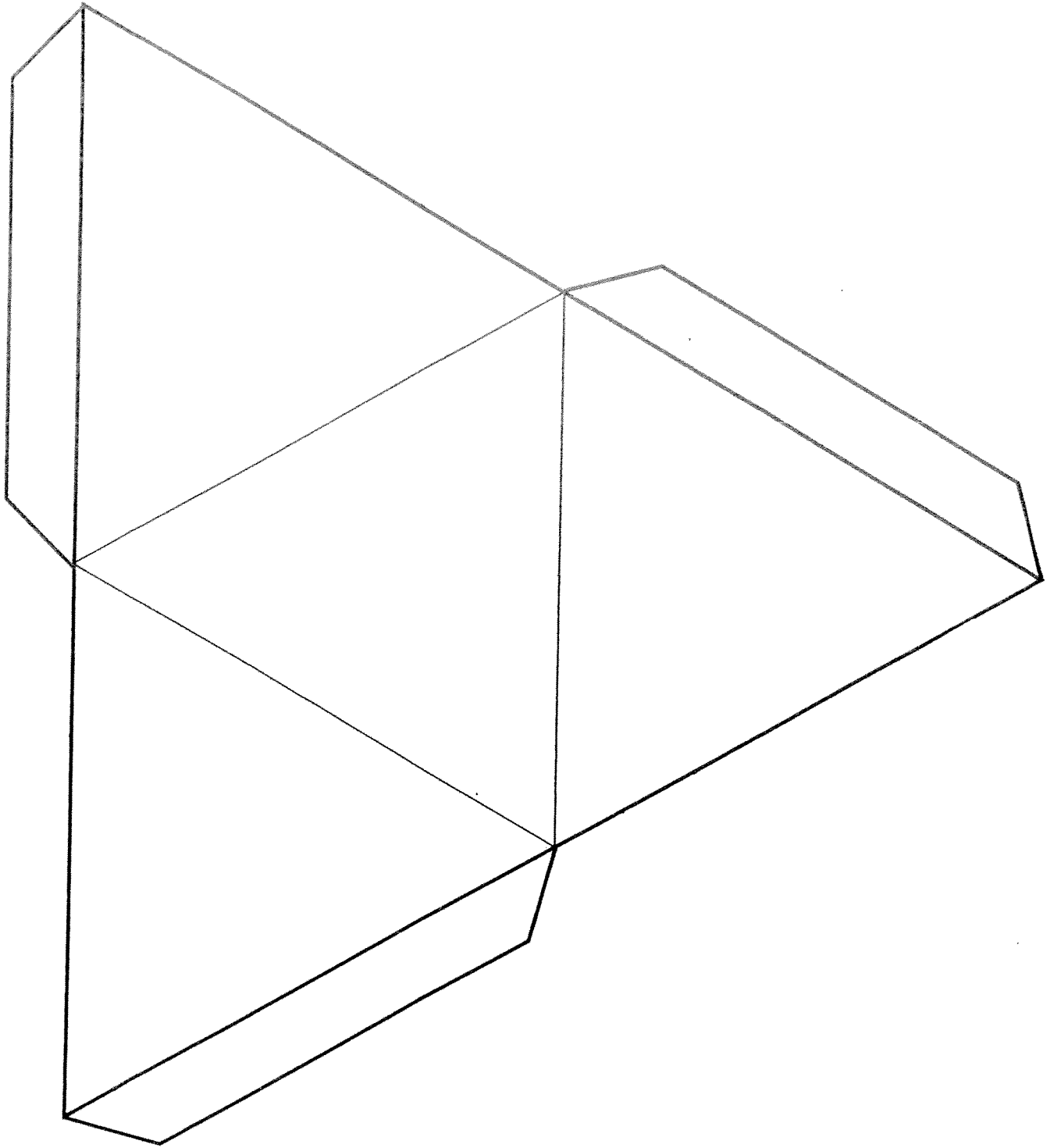


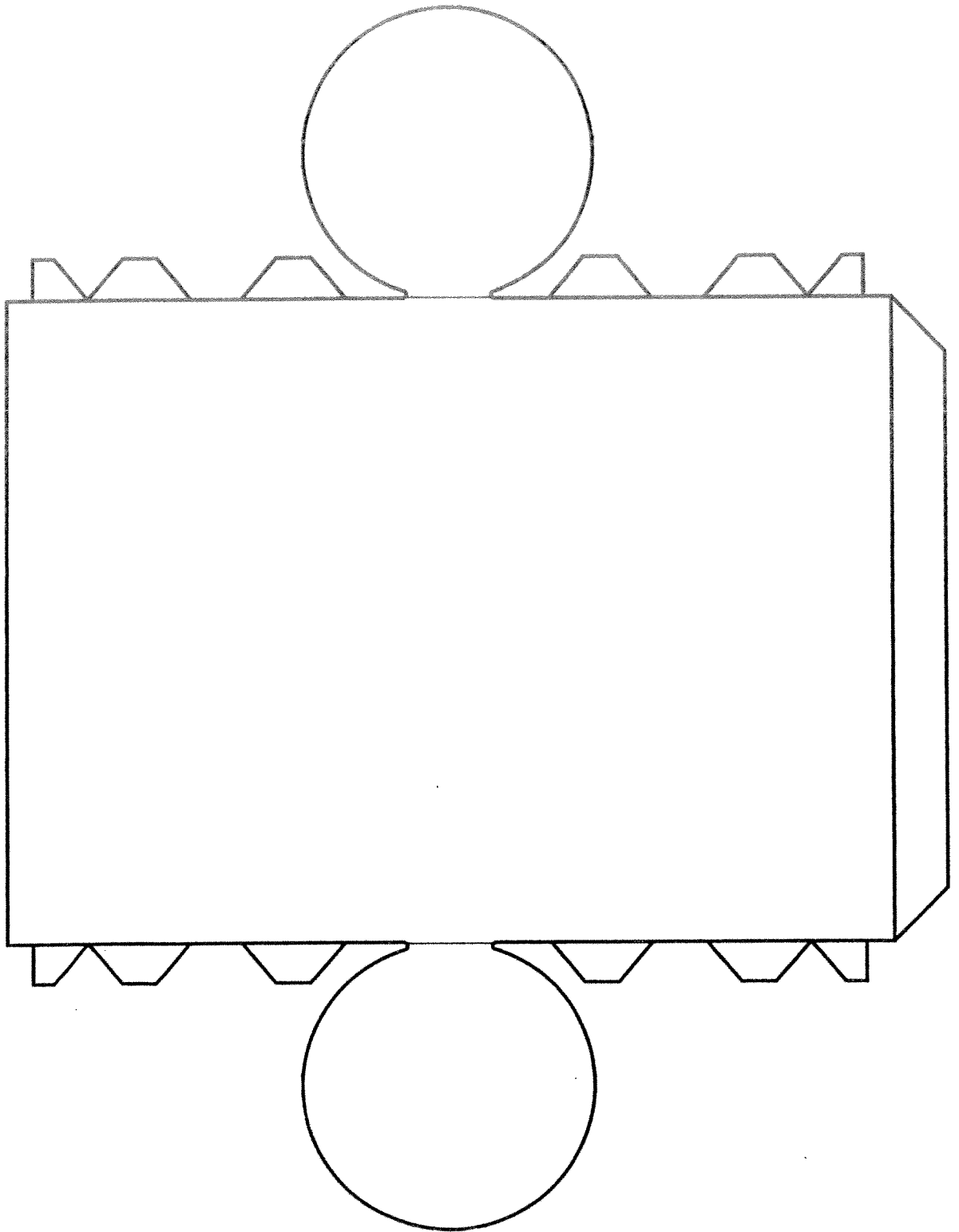


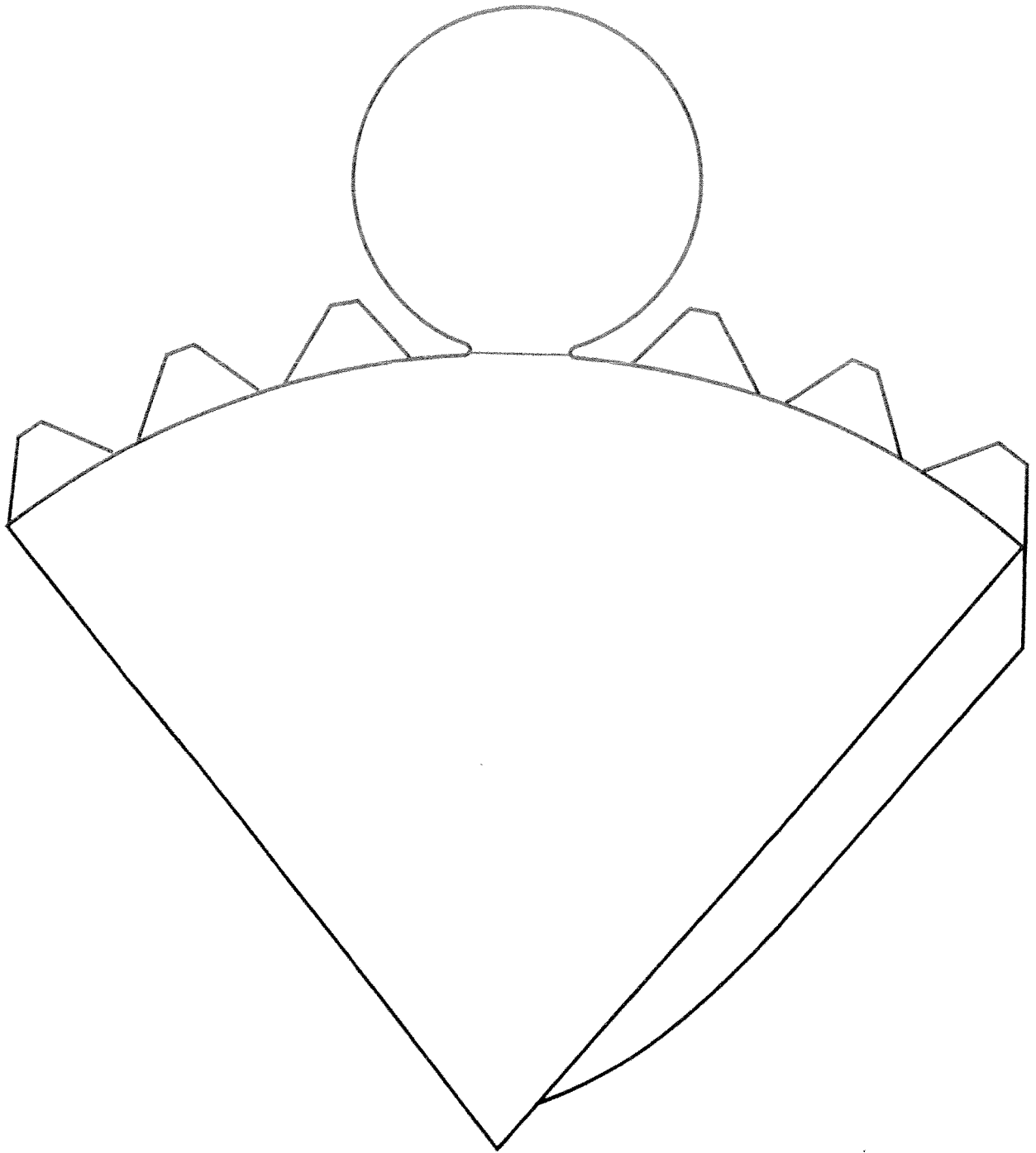












MBJ material copyrighted under notice appearing earlier in this work.