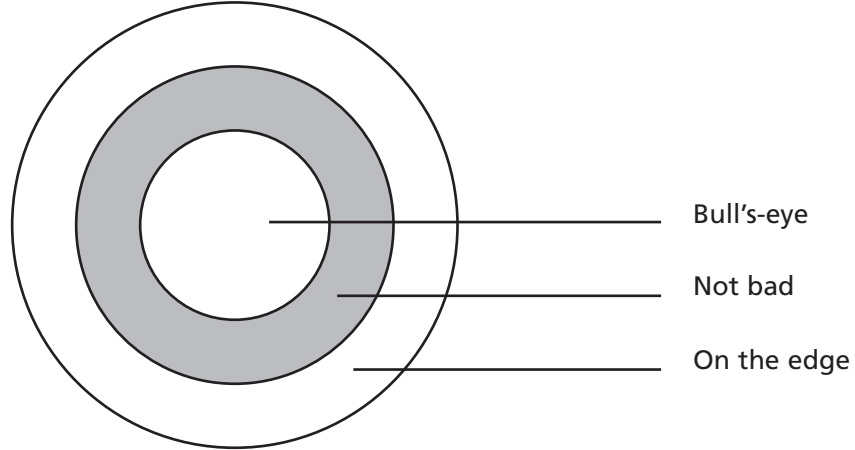


Target Diagram

Opinion



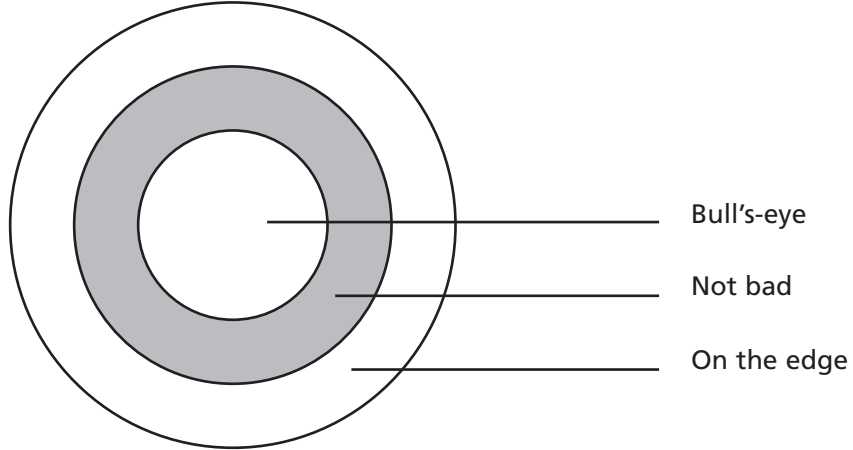
Bull's-eye

Not bad

On the edge

Target Diagram

Opinion



Bull's-eye

Not bad

On the edge
